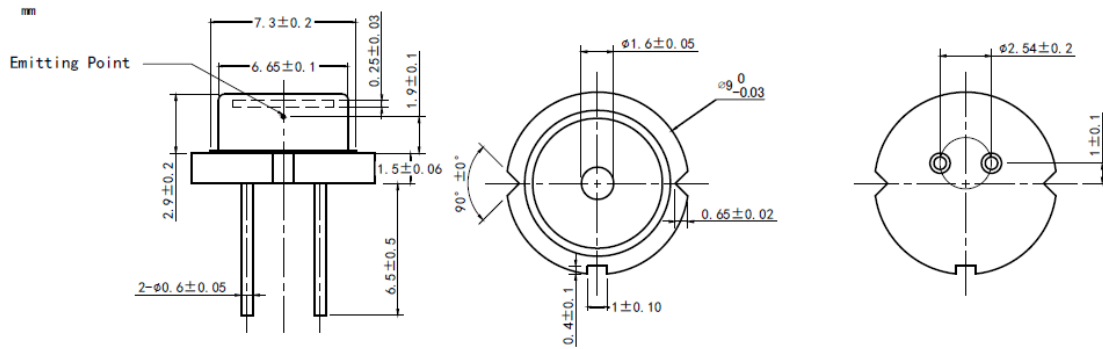


**445nm~455nm 5W TO5 Laser Diode with Square Beam | TO5 9mm Package |Blue Laser Diode**
**450nm LD| 5W Output Power | 9mm TO5 Package | With FAC Lens**
**WSLD-445-005-2-FAC**
**Wavespectrum Laser Group.**
**www.wavespectrum-laser.com**

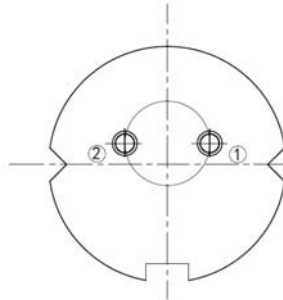
445nm Laser Diode		5W/TO5		en.wavespectrum-laser.com.cn	
PARAMETER		SYMBOL	VALUE		UNIT
Reverse Voltage		$V_r$	2.0		V
Operating Temperature		$T_{op}$	0~ +60		°C
Storage Temperature		$T_{stg}$	-40~ +85		°C
Lead soldering temperature (10 sec.)		$T_{is}$	260		°C
<b>Features:</b> <ul style="list-style-type: none"> <li>🔸 450nm</li> <li>🔸 5W Output Power</li> <li>🔸 TO5 Package</li> <li>🔸 With FAC Lens</li> </ul>					
<b>Applications:</b> <ul style="list-style-type: none"> <li>🔸 Medical Laser Treatment</li> <li>🔸 Laser Show</li> <li>🔸 Others</li> </ul>					
<b>Specifications</b>		<b>WSLD-445-005-2-FAC</b>			
		Min	Type	Max	
Center Wavelength@25°C		450nm±15nm			
Spectral Width (FWHM)		3.0nm			
Output Power		4.5W	5W	----	
Recommended Operating Temperature		25°C			
Beam	Beam Divergence (FWHM)	----	$10^\circ \pm x 10^\circ //$	$13^\circ \pm x 13^\circ //$	
	Beam Shape	Square Beam (About 1:1)			
Linear Shape Beam ( Fast Axis compressed to about 2°)		Optional			
Slope Efficiency		----	1.7W/A	----	
Threshold Current (Typ.)		----	0.3A	0.6A	
Operating Current (Typ.)		----	3.2A	3.5A	
Operating Voltage		----	4.5V	5.5V	
Package Style		TO5 (9mm)			



### Package View



### PIN Bottom View:



1	LD(+)
3	LD(-)

Electrically shorten LD module and store in non-extreme conditions.  
 Suggest using the constant current power supply.

