


450nm 5W Collimated Laser Diode High Power LD| High Power Output Power| Collimation Beam

445nm~455nm 5W LD | Small Compact Package| Blue Diode Laser

WSLD-445-005-K

Wavespectrum Laser Group

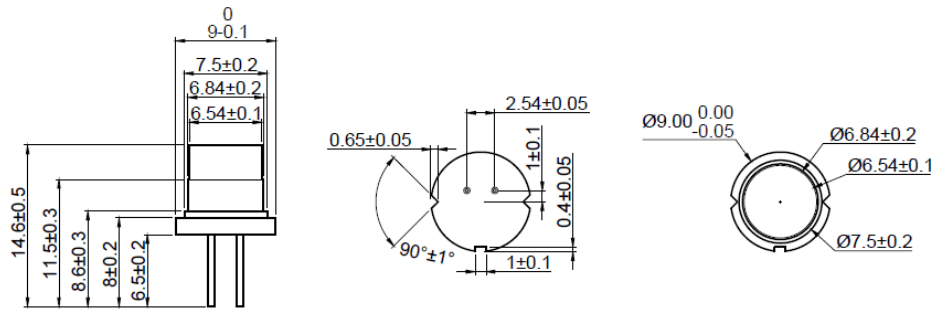
www.wavespectrum-laser.com

| 445nm Collimated Laser Diode | | 5W/TO5 | | Wavespectrum Laser Group | |
|---|----------------------------------|--|-------------|--------------------------|--|
| PARAMETER | SYMBOL | VALUE | | UNIT | |
| MAX Reverse Voltage | V_r | 2.0 | | V | |
| Operating Temperature | T_{op} | 0~+60 | | °C | |
| Storage Temperature | T_{stg} | -40~+85 | | °C | |
| Lead soldering temperature (10 sec.) | T_{is} | 260 | | °C | |
| Features: <ul style="list-style-type: none"> ● 450nm ● Collimated Laser Beam ● Small Compact Package ● Excellent Beam Quality ● Built-in PD Optional ● Built-in TEC Cooling Optional | |  | | | |
| Specifications | | WSLD-445-005-K | | | |
| | | Min | Type | Max | |
| Center Wavelength@25°C | | 450nm±15nm | | | |
| Output Power (CW Mode) | | ---- | 5W | ---- | |
| Spatial Mode | | Multi-mode | | | |
| Lens Type | | Aspheric Lens (with AR Coating) | | | |
| Beam Shape | | Elliptical | | | |
| Beam Divergence (Full Angle) | Parallel ($\theta //$) | 0.6° | 0.8° | 1.1° | |
| | Perpendicular ($\theta \perp$) | -1.0° | 0° | 1.0° | |
| Recommend Operating Temperature | | 25 °C | | | |
| Threshold Current (Typ.) | | ---- | 0.3A | 0.6A | |
| Operating Current (Typ.) | | ---- | 3.2A | 3.5A | |
| Operating Voltage | | ---- | 4.5V | 5.5V | |
| Package | | TO5(9mm) | | | |

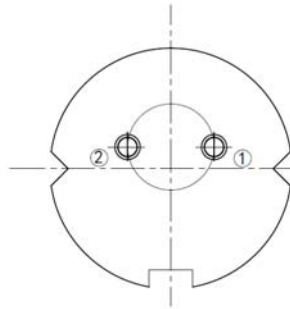


Package Drawing:

mm



PIN Bottom View:



| | |
|---|-------|
| 1 | LD(+) |
| 2 | LD(-) |

Electrically shorten LD module and store in non-extreme conditions.
 Suggest using the constant current power supply.

