


405nm 300mW Fiber Coupled Diode Laser with MM Fiber | 105um UV Fiber
405nm 300mW Multi-mode Pigtailed Laser Diode Module | Coaxial Package | Violet LD Module

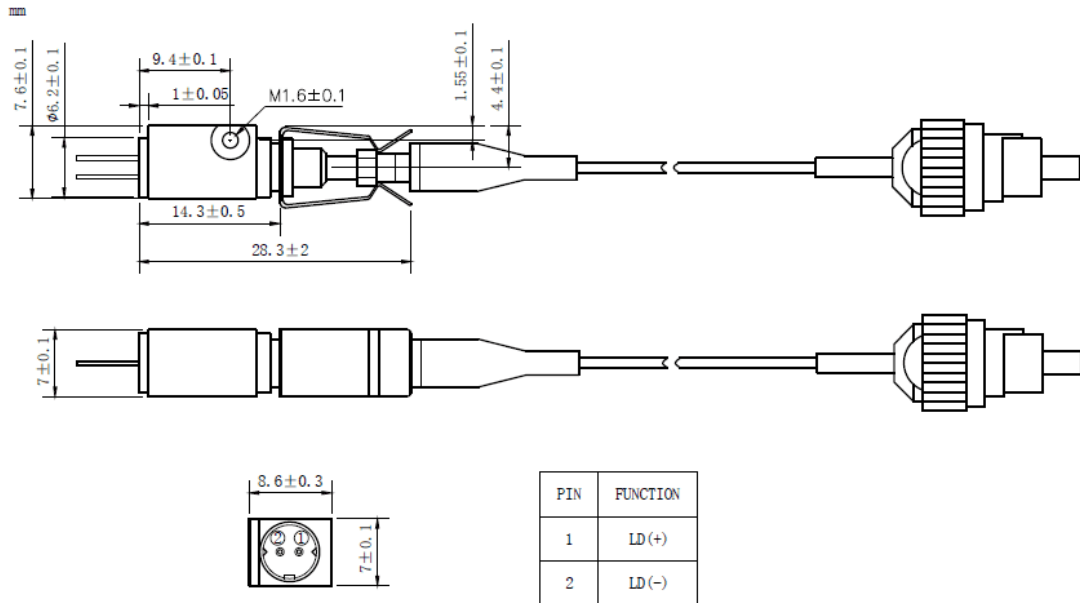
WSLP-405-300m-M

Wavespectrum Laser Group

www.wavespectrum-laser.com

405nm Pigtailed Diode Laser		300mW/MM Fiber		en.wavespectrum-laser.com.cn	
PARAMETER	SYMBOL	VALUE	UNIT		
Reverse Voltage	V_r	2.0	V		
Operating Temperature	T_{op}	0~ +30	°C		
Storage Temperature	T_{stg}	-40~ +85	°C		
Lead soldering temperature (10 sec.)	T_{is}	260	°C		
Features: <ul style="list-style-type: none"> ● 405nm ● CW Mode ● Coaxial Package ● Fiber Receptacle Optional 					
Applications: <ul style="list-style-type: none"> ● Medical Laser Treatment ● Printing ● Others 					
Specifications	WSLP-405-300m-M				
	Min	Type	Max		
Center Wavelength@25°C	±5nm	405nm	±10nm		
Spectral Width (FWHM)	----	2.0nm	----		
Output Power	----	300mW	----		
Recommend Operating Temperature	25°C				
Fiber Type	UV Multi-mode Fiber				
Fiber Core	105um (50um, 200um Optional)				
Threshold Current (Typ.)	----	140mA	200mA		
Operating Current (Typ.)	----	360mA	380mA		
Operating Voltage	----	4.5V	5.5V		
Fiber Length	>80cm				
Fiber Connector	FC/SC/SMA905				
Package Style	Coaxial				



Package View:


Electrically shorten LD module and store in non-extreme conditions.

Suggest using the constant current power supply.

