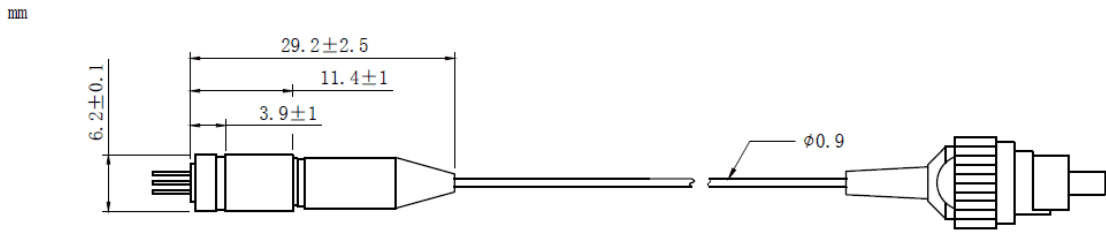
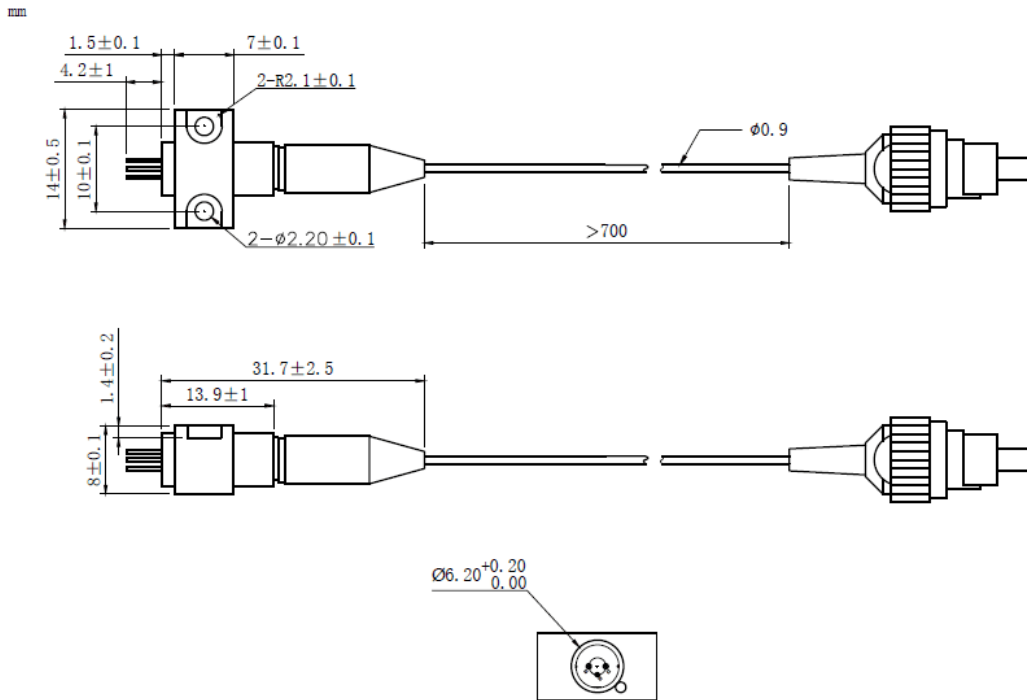
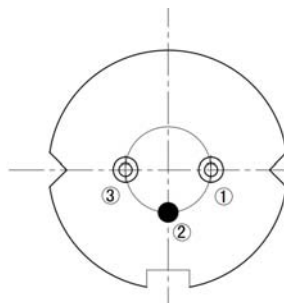


**405nm 15mW~20mW SM Coaxial Pigtailed Laser Diode | Built-in Photodiode**
**405nm 15mW Fiber Coupled LD with Single Mode Fiber | Violet Diode Laser Module with PD**
**WSLP-405-015m-4-PD**
**Wavespectrum Laser Group**
**www.wavespectrum-laser.com**

405nm Pigtailed Diode Laser		15mW/SMF		en.wavespectrum-laser.com.cn	
PARAMETER	SYMBOL	VALUE		UNIT	
Reverse Voltage	$V_r$	2.0		V	
Operating Temperature	$T_{op}$	-10~+70		°C	
Storage Temperature	$T_{stg}$	-40~+85		°C	
Lead soldering temperature (10 sec.)	$T_{is}$	260		°C	
<b>Features:</b> <ul style="list-style-type: none"> <li>● 405nm</li> <li>● 3um SM Fiber</li> <li>● Coaxial or B82 Package</li> <li>● Built-in Photodiode</li> </ul>					
<b>Applications:</b> <ul style="list-style-type: none"> <li>● Medical Laser Treatment</li> <li>● Printing</li> <li>● Others</li> </ul>					
<b>Specifications</b>	<b>WSLP-405-015m-4-PD</b>				
	Min	Type	Max		
Center Wavelength@25°C	±5nm	405nm	±10nm		
Spectral Width (FWHM)	----	2.0nm	----		
Output Power	----	15mW	----		
Fiber Core	3um				
Recommended Operating Temperature	25°C				
Monitor Current	----	0.3mA	----		
PD MAX Reverse Voltage	----	----	30V		
Fiber Connector	FC/SC/SMA905				
Fiber Length	>80cm				
Threshold Current	----	35mA	70mA		
Operating Current	----	90mA	110mA		
Operating Voltage	----	5.0V	6.0V		
Package Style	Coaxial or B82				
PD	Built-in				



**Coaxial Package View: (Part Number: WSLP-405-015m-4-PD)**

**B82 Package View: (Part Number: WSLP-405-015m-4-B-PD)**

**PIN Bottom View:**


<b>1</b>	<b>LD(-)</b>
<b>2</b>	<b>LD(+)&amp;PD(-)</b>
<b>3</b>	<b>PD(+)</b>



Electrically shorten LD module and store in non-extreme conditions.  
Suggest using the constant current power supply.

