


405nm 15mW~20mW PM Pigtailed Laser Diode Module With Polarization Maintaining Fiber
405nm 15mW PM Fiber Coupled Diode Laser Module | Violet LD Module | Built-in PD
WSLP-405-015m-PM-PD Wavespectrum Laser Group www.wavespectrum-laser.com

405nm Pigtailed Diode Laser 15mW/PMF en.wavespectrum-laser.com.cn

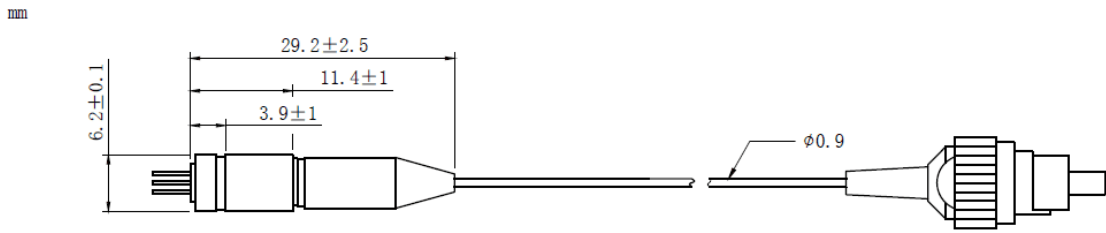
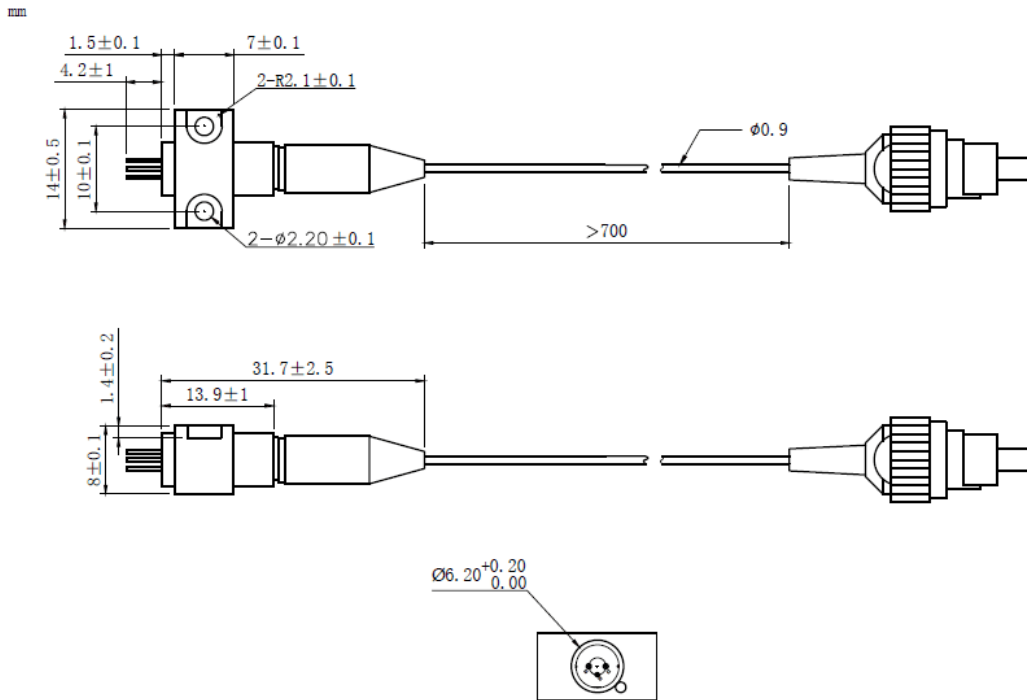
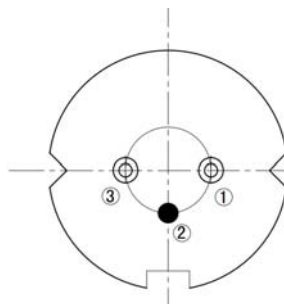
PARAMETER	SYMBOL	VALUE	UNIT
Reverse Voltage	V_r	2.0	V
Operating Temperature	T_{op}	-10~+70	°C
Storage Temperature	T_{stg}	-40~+85	°C
Lead soldering temperature (10 sec.)	T_{is}	260	°C

Features: <ul style="list-style-type: none"> ● 405nm ● PM Fiber ● High Reliability ● High Polarization Extinction Ratio 	
Applications: <ul style="list-style-type: none"> ● Medical Laser Treatment ● Biotechnology ● Others 	

Specifications	WSLP-405-015m-PM-PD		
	Min	Type	Max
Center Wavelength@25°C	±5nm	405nm	±10nm
Spectral Width (FWHM)	----	2.0nm	----
Output Power	----	15mW	----
Fiber Type	UV Polarization Maintaining Fiber		
Fiber Core	3um		
Recommend Operating Temperature	25°C		
Polarization Extinction Ratio	13dB	15dB	----
Fiber Connector	FC/APC		
Fiber Length	>80cm		
Threshold Current	----	40mA	70mA
Operating Current	----	100mA	120mA
Operating Voltage	----	5.0V	6.0V
Package Style	Coaxial or B82		

High Polarization Extinction Ratio (PER) Version Laser Module is also available, please contact us.



Coaxial Package View: (Part Number: WSLP-405-015m-PM-PD)

B82 Package View: (Part Number: WSLP-405-015m-PM-B-PD)

PIN Bottom View:


1	LD(-)
2	LD(+) & PD(-)
3	PD(+)



Electrically shorten LD module and store in non-extreme conditions.
Suggest using the constant current power supply.

