
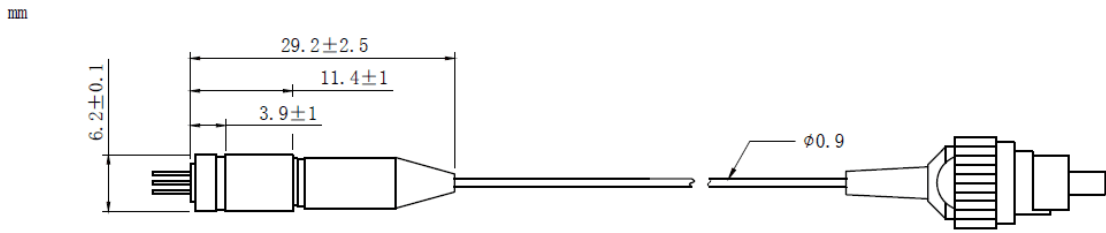
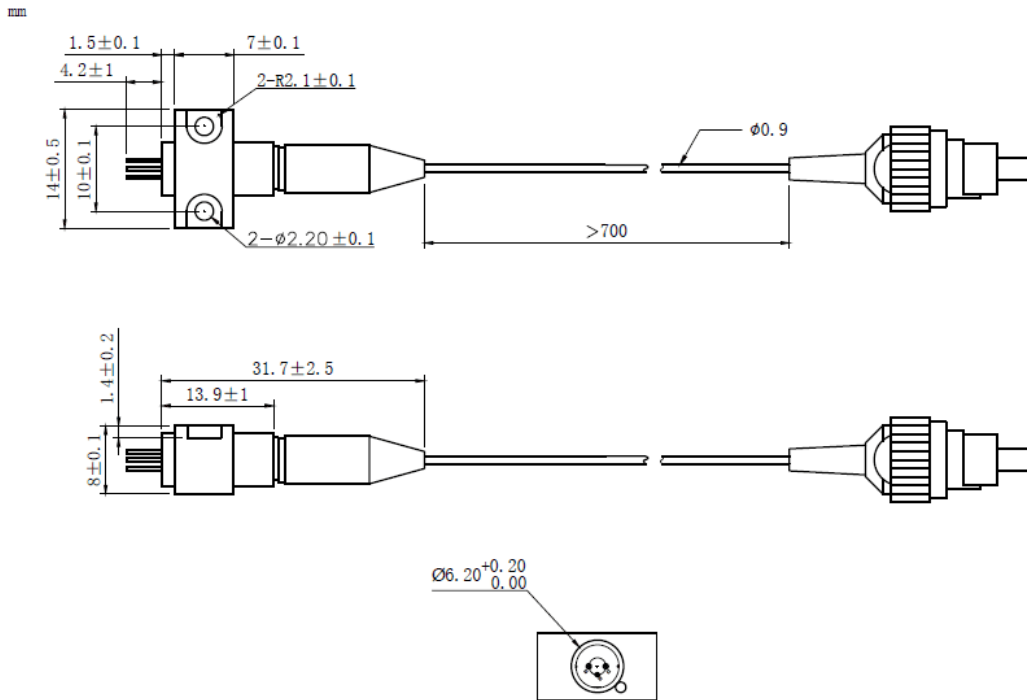
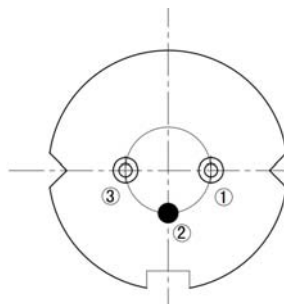


405nm 40mW PM Pigtailed Laser Diode Module With Polarization Maintaining Fiber
405nm~410nm 40mW PM Fiber Coupled Diode Laser Module | Violet LD Module | Built-in PD
WSLP-405-040m-PM-PD Wavespectrum Laser Group www.wavespectrum-laser.com

405nm Pigtailed Diode Laser		40mW/PMF		en.wavespectrum-laser.com.cn	
PARAMETER	SYMBOL	VALUE		UNIT	
Reverse Voltage	V_r	2.0		V	
Operating Temperature	T_{op}	-10 ~ +70		°C	
Storage Temperature	T_{stg}	-40 ~ +85		°C	
Lead soldering temperature (10 sec.)	T_{is}	260		°C	
Features: <ul style="list-style-type: none"> 405nm PM Fiber High Reliability High Polarization Extinction Ratio Applications: <ul style="list-style-type: none"> Medical Laser Treatment Biotechnology Others 					
Specifications	WSLP-405-040m-PM-PD				
	Min	Type	Max		
Center Wavelength@25°C	±5nm	405nm	±10nm		
Spectral Width (FWHM)	----	2.0nm	----		
Output Power	----	40mW	----		
Fiber Type	UV Polarization Maintaining Fiber				
Fiber Core	3um				
Recommend Operating Temperature	25°C				
Polarization Extinction Ratio	13dB	15dB	----		
Fiber Connector	FC/APC				
Fiber Length	>80cm				
Threshold Current	----	45mA	80mA		
Operating Current	----	125mA	140mA		
Operating Voltage	----	5.0V	6.0V		
Package Style	Coaxial or B82				
High Polarization Extinction Ratio (PER) Version Laser Module is also available, please contact us.					



Coaxial Package View: (Part Number: WSLP-405-040m-PM-PD)

B82 Package View: (Part Number: WSLP-405-040m-PM-B-PD)

PIN Bottom View:


1	LD(-)
2	LD(+) & PD(-)
3	PD(+)



Electrically shorten LD module and store in non-extreme conditions.
Suggest using the constant current power supply.

