
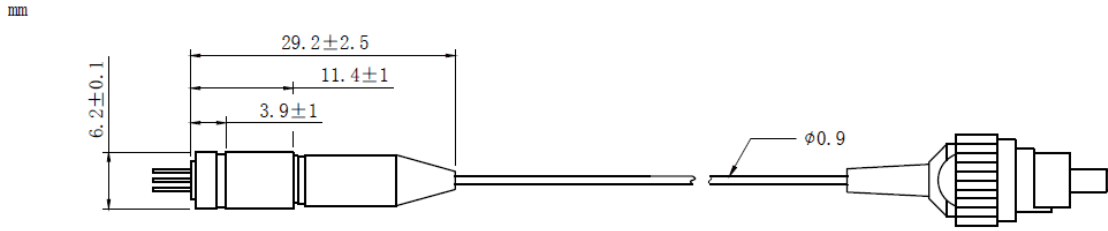
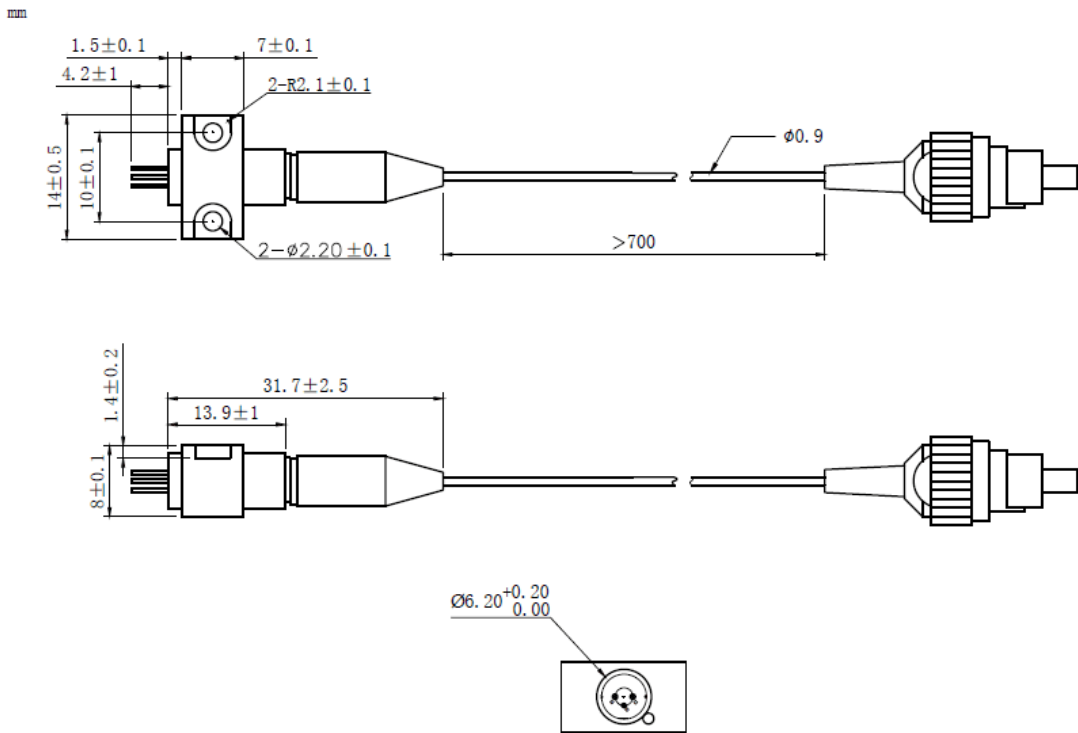
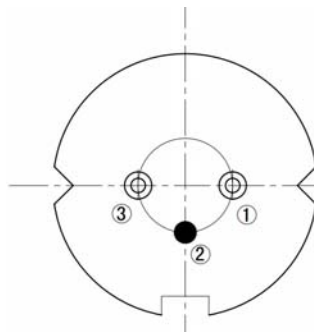


460nm 50mW Coaxial Pigtailed Laser Diode with Single Mode Fiber| Blue LD
460nm | Single Mode Blue Diode Laser Module | 460nm Fiber Coupled LD| 3um SM Fiber
 WSLP-460-050m-4 Wavespectrum Laser Group www.wavespectrum-laser.com

460nm Pigtailed Diode Laser		50mW/SMF		en.wavespectrum-laser.com.cn	
PARAMETER	SYMBOL	VALUE		UNIT	
Reverse Voltage	V_r	2.0		V	
Operating Temperature	T_{op}	-10~+70		°C	
Storage Temperature	T_{stg}	-40~+85		°C	
Lead soldering temperature (10 sec.)	T_{is}	260		°C	
Features: <ul style="list-style-type: none"> 460nm 3um SM Fiber Coaxial or B82 Package 					
Applications: <ul style="list-style-type: none"> Medical Laser Treatment Printing Others 					
Specifications	WSLP-460-050m-4				
	Min	Type	Max		
Center Wavelength@25°C	450nm	460nm	470nm		
Spectral Width (FWHM)	----	2.0nm	----		
Output Power	----	50mW	----		
Fiber Type	3um SM Fiber				
Recommend Operating Temperature	25°C				
Monitor Current	----	----	----		
PD Reverse Voltage	----	----	----		
Fiber Connector	FC/SC/SMA905				
Fiber Length	>80cm				
Threshold Current	----	25mA	60mA		
Operating Current	----	140mA	160mA		
Operating Voltage	----	6.0V	7.0V		
Package Style	Coaxial or B82				



Coaxial Package View: (Part Number: WSLP-460-050m-4)

B82 Package View: (Part Number: WSLP-460-050m-4-B)

PIN Bottom View:


1	LD(+)
2	GND
3	LD(-)



Electrically shorten LD module and store in non-extreme conditions.
Suggest using the constant current power supply.

