


**460nm 30mW~40mW Coaxial Pigtailed Laser Diode with PMF | Blue Laser Module**
**460nm 30mW PM Fiber Coupled LD | 3um Polarization Maintaining (SM Fiber)**

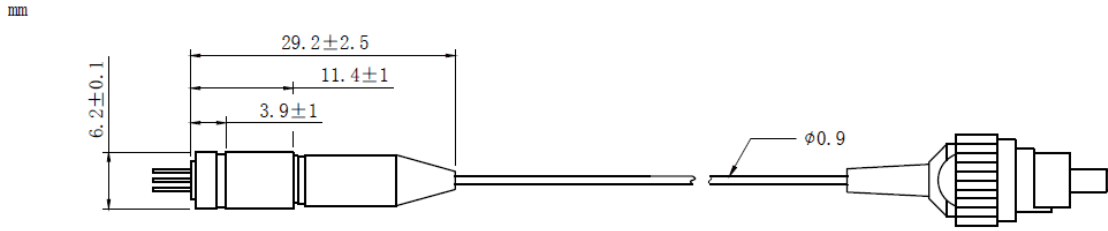
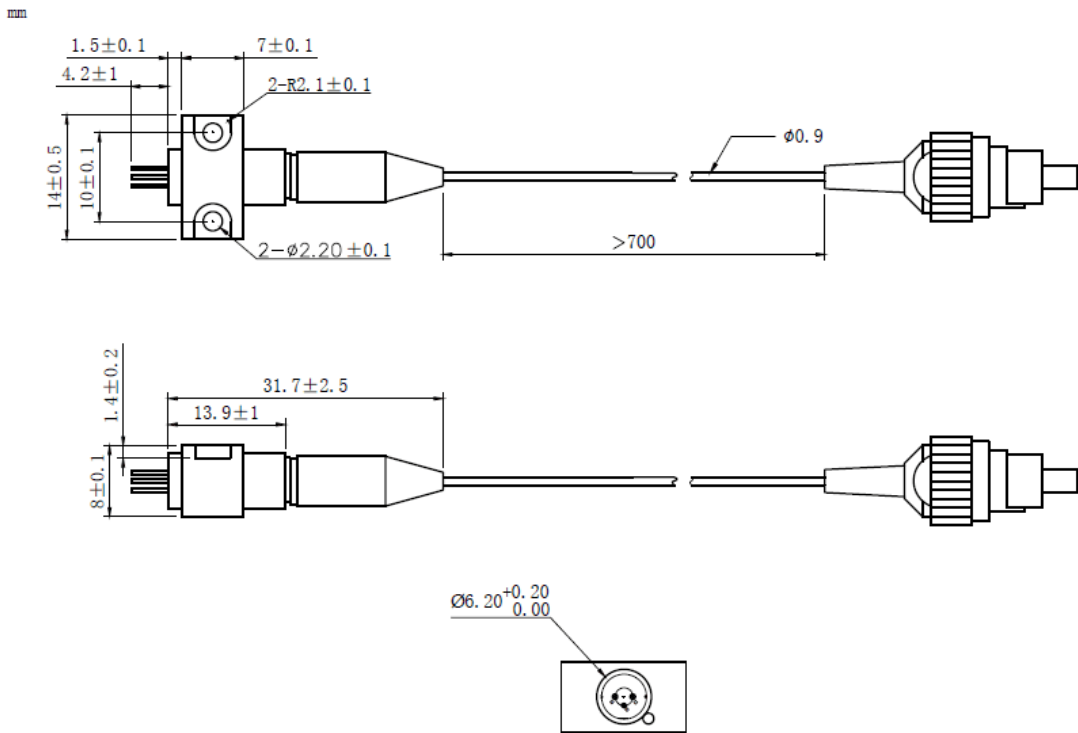
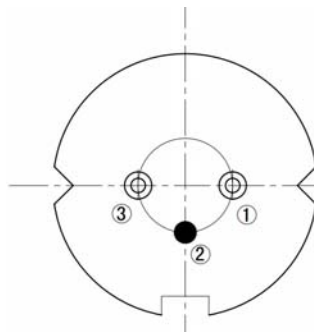
WSLP-460-030m-PM

Wavespectrum Laser Group

[www.wavespectrum-laser.com](http://www.wavespectrum-laser.com)
[en.wavespectrum-laser.com.cn](http://en.wavespectrum-laser.com.cn)

460nm Pigtailed Diode Laser		30mW/PMF	
PARAMETER	SYMBOL	VALUE	UNIT
Reverse Voltage	$V_r$	2.0	V
Operating Temperature	$T_{op}$	-10~+70	°C
Storage Temperature	$T_{stg}$	-40~+85	°C
Lead soldering temperature (10 sec.)	$T_{is}$	260	°C
Features: <ul style="list-style-type: none"> <li>460nm</li> <li>PM Fiber</li> <li>High Reliability</li> <li>High Polarization Extinction Ratio</li> </ul> Applications: <ul style="list-style-type: none"> <li>Medical Laser Treatment</li> <li>Biotechnology</li> <li>Others</li> </ul>			
Specifications	WSLP-460-030m-PM		
	Min	Type	Max
Center Wavelength@25°C	450nm	460nm	470nm
Spectral Width (FWHM)	----	2.0nm	----
Output Power	----	30mW	----
Fiber Type	Polarization Maintaining Fiber		
Fiber Core	3um		
Recommend Operating Temperature	25°C		
Fiber Connector	FC/APC		
Polarization Extinction Ratio	13dB	15dB	
Fiber Length	>80cm		
Threshold Current	----	25mA	60mA
Operating Current	----	140mA	160mA
Operating Voltage	----	6.0V	7.0V
Package Style	Coaxial or B82		
High Polarization Extinction Ratio (PER) Version Laser Module is also available, please contact us.			



**Coaxial Package View: (Part Number: WSLP-460-030m-PM)**

**B82 Package View: (Part Number: WSLP-460-030m-PM-B)**

**PIN Bottom View:**


<b>1</b>	<b>LD(+)</b>
<b>2</b>	<b>GND</b>
<b>3</b>	<b>LD(-)</b>



Electrically shorten LD module and store in non-extreme conditions.  
Suggest using the constant current power supply.

