

460nm 50mW Coaxial Pigtailed Laser Diode with PMF | Blue Laser Module
460nm~465nm~473nm 50mW PM Fiber Coupled LD | 3um Polarization Maintaining (SM Fiber)

WSLP-460-050m-PM

Wavespectrum Laser Group

www.wavespectrum-laser.com
en.wavespectrum-laser.com.cn
460nm Pigtailed Diode Laser
50mW/PMF

PARAMETER	SYMBOL	VALUE	UNIT
Reverse Voltage	V_r	2.0	V
Operating Temperature	T_{op}	-10~+70	°C
Storage Temperature	T_{stg}	-40~+85	°C
Lead soldering temperature (10 sec.)	T_{is}	260	°C

Features:

- 460nm
- PM Fiber
- High Reliability
- High Polarization Extinction Ratio

Applications:

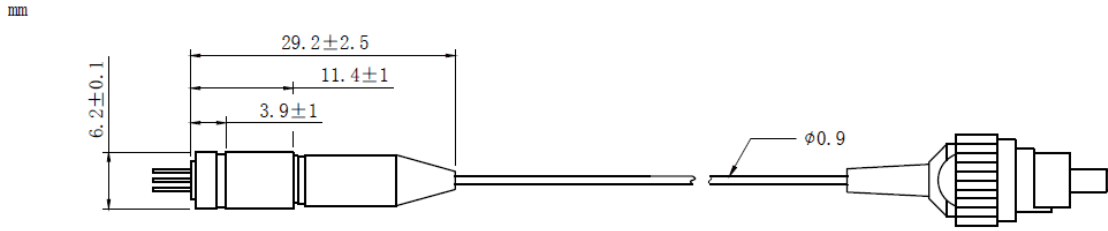
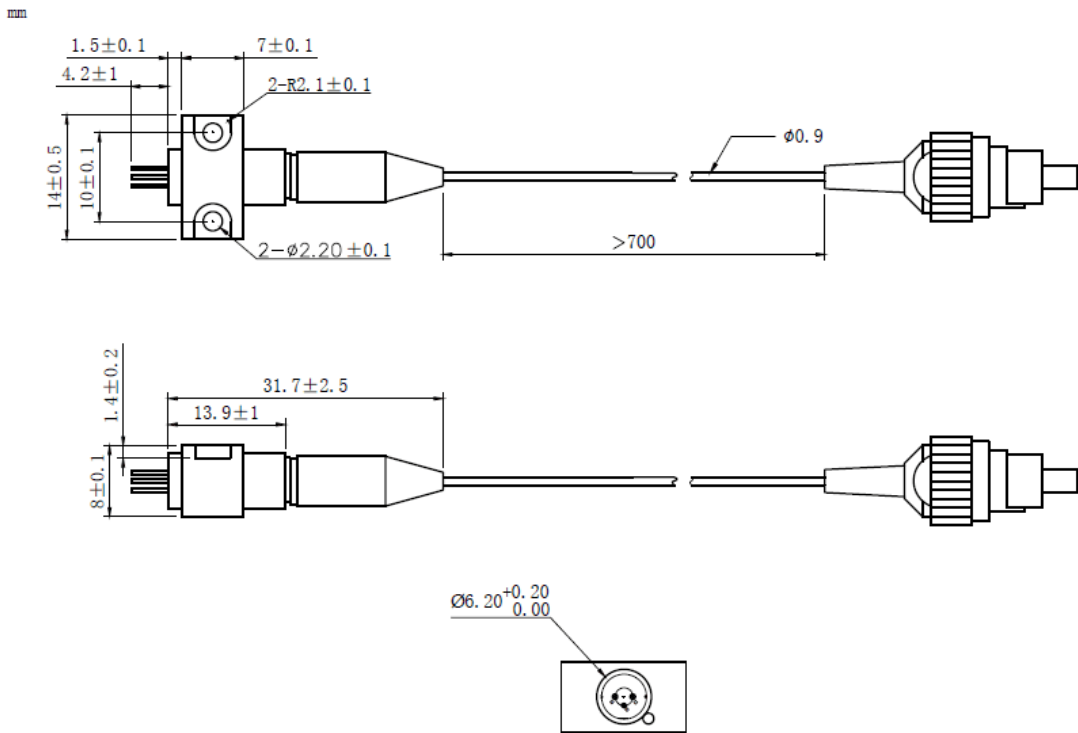
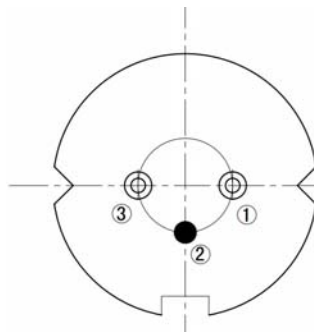
- Medical Laser Treatment
- Biotechnology
- Others


Specifications
WSLP-460-050m-PM

	Min	Type	Max
Center Wavelength@25°C	450nm	460nm	470nm
Spectral Width (FWHM)	----	2.0nm	----
Output Power	----	50mW	----
Fiber Type	Polarization Maintaining Fiber		
Fiber Core	3um		
Recommend Operating Temperature	25°C		
Fiber Connector	FC/APC		
Polarization Extinction Ratio	13dB	15dB	
Fiber Length	>80cm		
Threshold Current	----	25mA	65mA
Operating Current	----	150mA	170mA
Operating Voltage	----	6.0V	7.0V
Package Style	Coaxial or B82		

High Polarization Extinction Ratio (PER) Version Laser Module is also available, please contact us.



Coaxial Package View: (Part Number: WSLP-460-050m-PM)

B82 Package View: (Part Number: WSLP-460-050m-PM-B)

PIN Bottom View:


1	LD(+)
2	GND
3	LD(-)



Electrically shorten LD module and store in non-extreme conditions.
Suggest using the constant current power supply.

