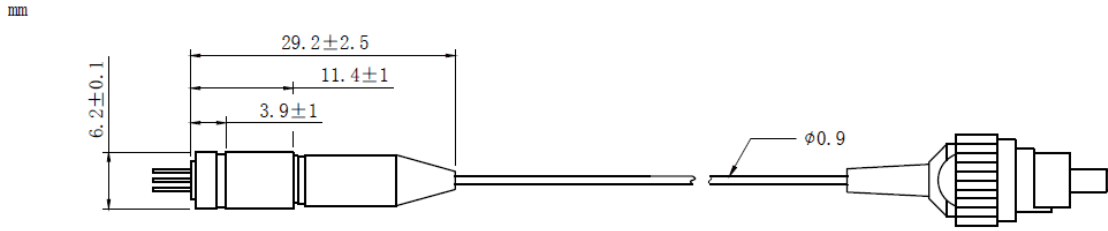
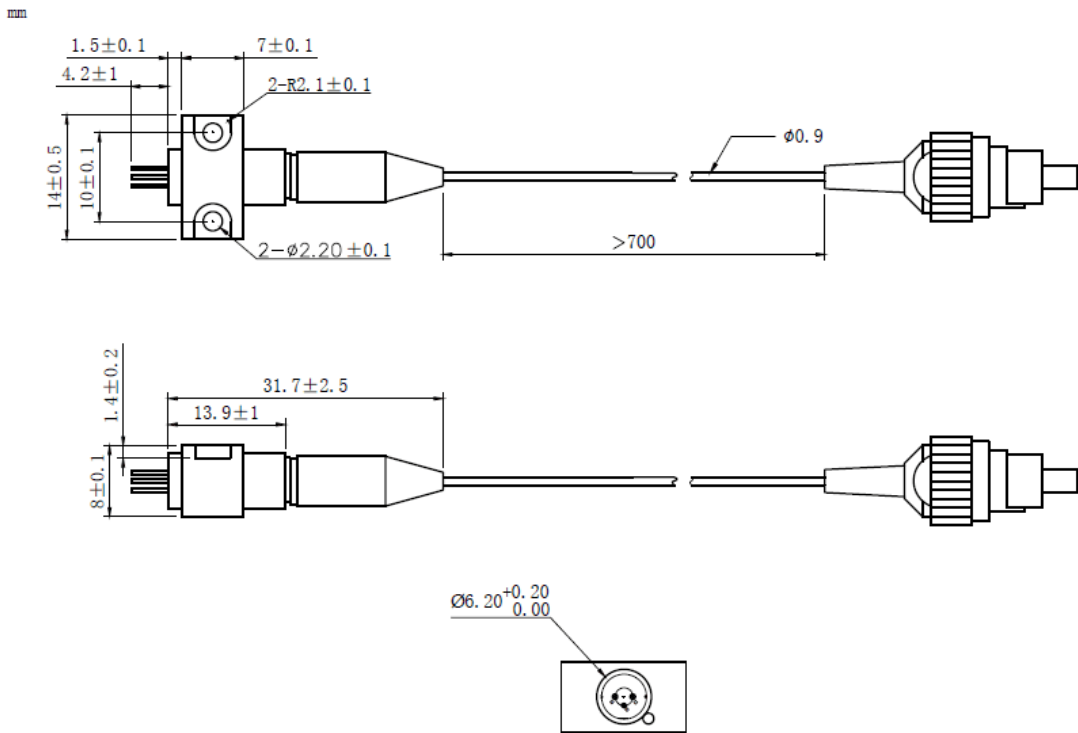
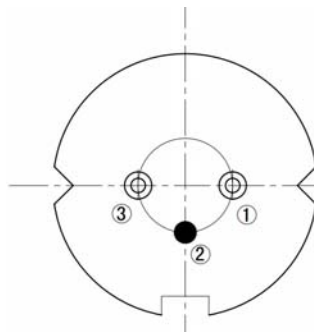


**460nm 80mW~90mW Coaxial Pigtailed Laser Diode with 9um SMF-28 Fiber| Blue LD**
**460nm | Blue Laser Diode | 460nm Fiber Coupled LD| 9um SM Fiber**
**WSLP-460-080m-9**
**Wavespectrum Laser Group**
**www.wavespectrum-laser.com**
**460nm Pigtailed Diode Laser 80mW/9um**
**en.wavespectrum-laser.com.cn**

PARAMETER	SYMBOL	VALUE	UNIT
Reverse Voltage	$V_r$	2.0	V
Operating Temperature	$T_{op}$	-10~+70	°C
Storage Temperature	$T_{stg}$	-40~+85	°C
Lead soldering temperature (10 sec.)	$T_{is}$	260	°C
<b>Features:</b> <ul style="list-style-type: none"> <li>● 460nm</li> <li>● 9um Fiber</li> <li>● Coaxial or B82 Package</li> </ul>			
<b>Applications:</b> <ul style="list-style-type: none"> <li>● Medical Laser Treatment</li> <li>● Printing</li> <li>● Others</li> </ul>			
<b>Specifications</b>	<b>WSLP-460-080m-9</b>		
	Min	Type	Max
Center Wavelength@25°C	450nm	460nm	470nm
Spectral Width (FWHM)	----	2.0nm	----
Output Power	----	80mW	----
Fiber Core	9um		
Recommend Operating Temperature	25°C		
Monitor Current	----	----	----
PD Reverse Voltage	----	----	----
Fiber Connector	FC/SC/SMA905		
Fiber Length	>80cm		
Threshold Current	----	20mA	60mA
Operating Current	----	120mA	140mA
Operating Voltage	----	6.0V	7.0V
Package Style	Coaxial or B82		



**Coaxial Package View: (Part Number: WSLP-460-080m-9)**

**B82 Package View: (Part Number: WSLP-460-080m-9-B)**

**PIN Bottom View:**


<b>1</b>	<b>LD(+)</b>
<b>2</b>	<b>GND</b>
<b>3</b>	<b>LD(-)</b>



Electrically shorten LD module and store in non-extreme conditions.  
Suggest using the constant current power supply.

